

REV.	DESCRIPTION	DATE
A	RELEASE	Nov 15, 2021

NOTES:

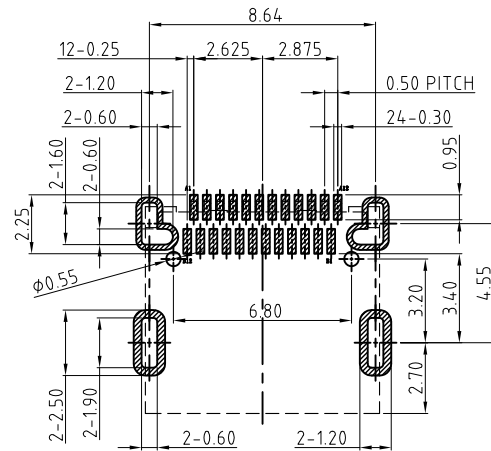
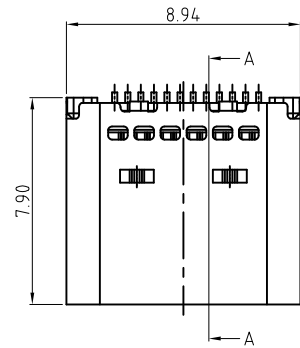
- MATERIAL:
 - 1-1 MOLDING: HIGH TEMPERATURE RESISTANT PLASTIC, UL94 V-0.
 - 1-2 CONTACT: COPPER ALLOY.
 - 1-3 MID PLATE: STAINLESS STEEL.
 - 1-4 FRONT SHELL: STAINLESS STEEL.
- PLATING:
 - 2-1 CONTACTS:
 - Ni 50u" MIN, UNDER PLATED OVER ALL.
 - Au PLATED ON THE FUNCTIONAL AREA OF CONTACT.
 - 2-2 FRONT SHELL:
 - Ni 30u" MIN, UNDER PLAED OVER ALL.
 - 2-3 SHIELD PLAYE & EMI PLATE CLEAR ONLY.
- MECHANICAL PERFORMANCE:
 - 3-1 INSERTION FORCE: 0.5~2.0 Kgf.
 - 3-2 REMOVAL FORCE: 0.8~2.0 Kgf.
 - 3-3 DURABILITY: 10000 CYCLES.
- ELECTTRICAL PERFORMANCE:
 - 4-1 CURRENT RATING: 5.0A.
 - VOLTAGE RATING: 5.0V.
 - 4-2 LLCR:
 - VBUS & GND PINS AND ORTHERPINS: 40mΩ /PIN MAX.
 - SHIELD: 50mΩ /MAX.
 - LLCR MAX CHANGE OF ALL PINS: 10mΩ .
 - 4-3 INSULATION RESISTANCE: 100MΩ MIN.
 - 4-4 DIELECTRIC WITHSTAND VOLTAGE: AC 100V FOR 1 MINUTE.
- ENVIRONMENTAL PERFORMANCE:
 - OPERATING TEMPERATURE: -25° C ~ +85° C.

PART NUMBER INFORMATION :

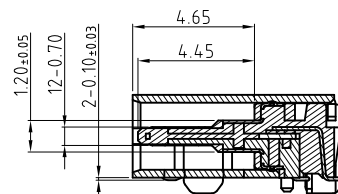
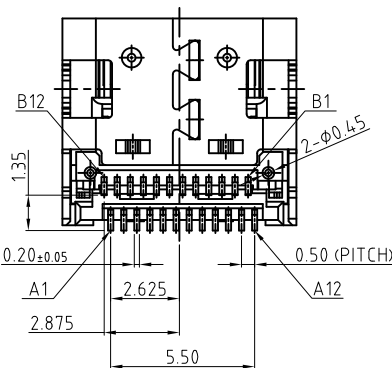
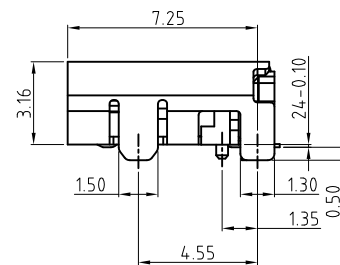
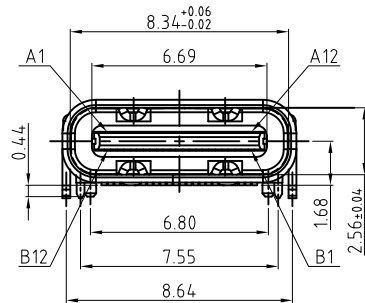
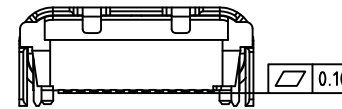
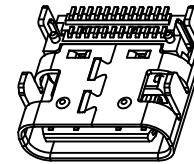
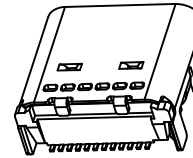
230F824-XN110S-X

SERIES CODE
SMT 180°
MALE
TYPE C
NUMBER OF POSITIONS

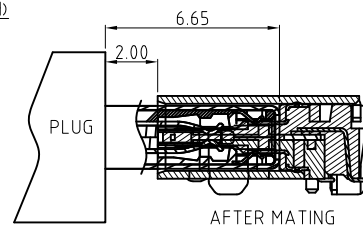
R:RoHS
H:HALOGEN FREE
FOLLOW NUMBER
NICKEL PLATED
PLATING SEE TABLE



RECOMMEND PCB LAYOUT TOP VIEW
TOLERANCE: ±0.05



SECTION : A-A



AFTER MATING

A1	GND	B12	GND
A2	SSTXP1	B11	SSRXP1
A3	SSTXN1	B10	SSRXN1
A4	VBUS	B9	VBUS
A5	CC1	B8	SBU2
A6	DP1	B7	DN2
A7	DN1	B6	DP2
A8	SBU1	B5	CC2
A9	VBUS	B4	VBUS
A10	GND	B3	GND
A11	SSRXN2	B2	SSTXN2
A12	SSRXP2	B1	SSTXP2
PIN	SIGNAL NAME	PIN	SIGNAL NAME

DESCRIPTION OF PLATING ON TERMINALS			
NO.	EXPLAIN	NO.	EXPLAIN
0	GOLD FLASH	3	GOLD 15u"
1	GOLD 5u"	4	GOLD 20u"
2	GOLD 10u"	H	G/F + TIN'

TOLERANCE .0=±0.25 .00=±0.20 .000=±0.10 ANG.±2'	DRAWER ZU CHECK ZU APP'D ZLWXC	INMO 东莞市英墨电子有限公司 INMO Electronics Co.,Ltd		
 UNITS : mm	PRODUCT SPEC.			
SCALE 1:2	SIZE A6	SHEET 1 OF 1	REV. B	NAME TYPE C 24PIN L7.90 卧贴
DRAW NO. R230F824-XN110S-X				